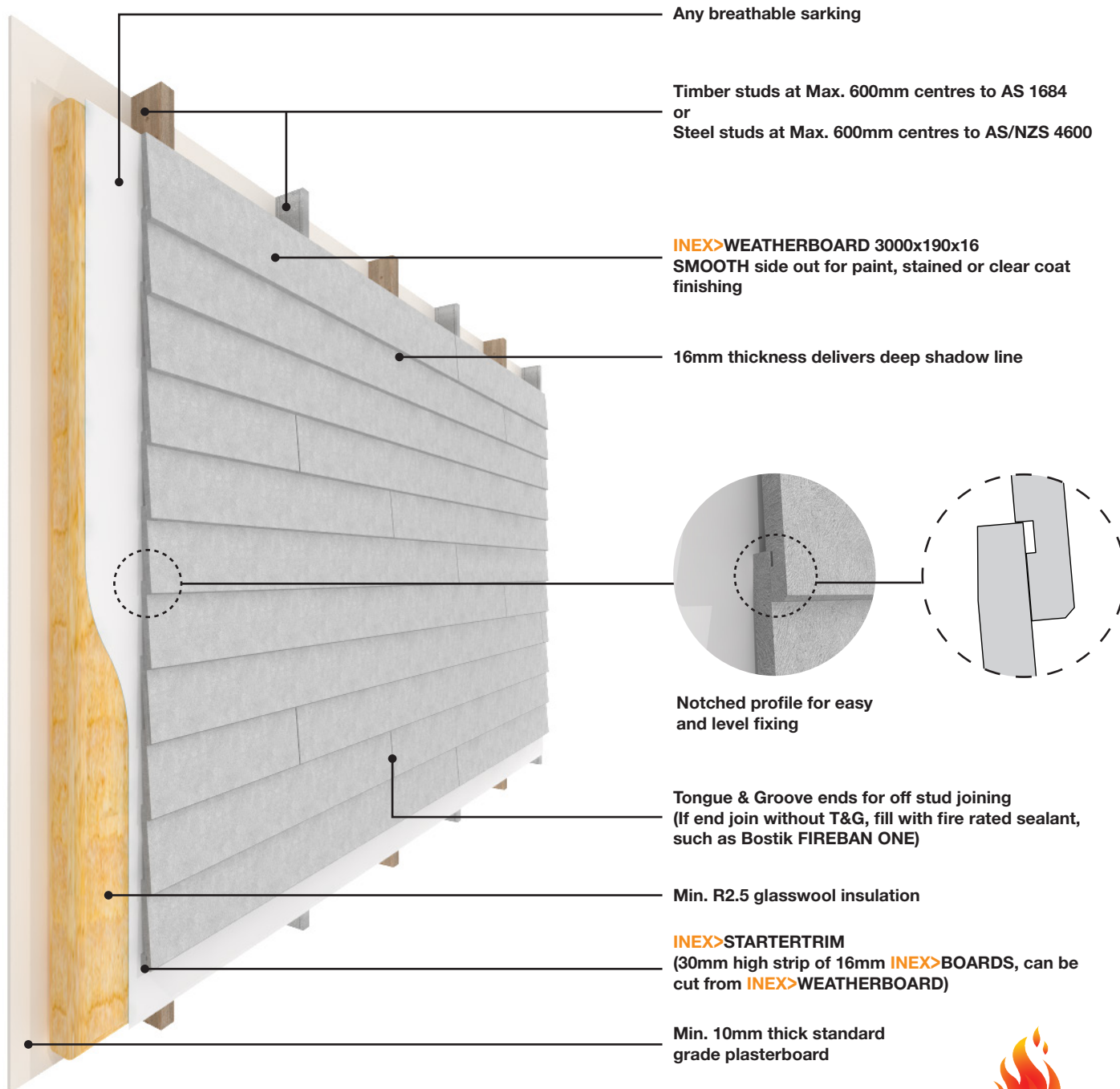


INEX > WEATHERBOARD™

TIMBER OR STEEL FRAME : FRL 60/60/60 & BAL-FZ



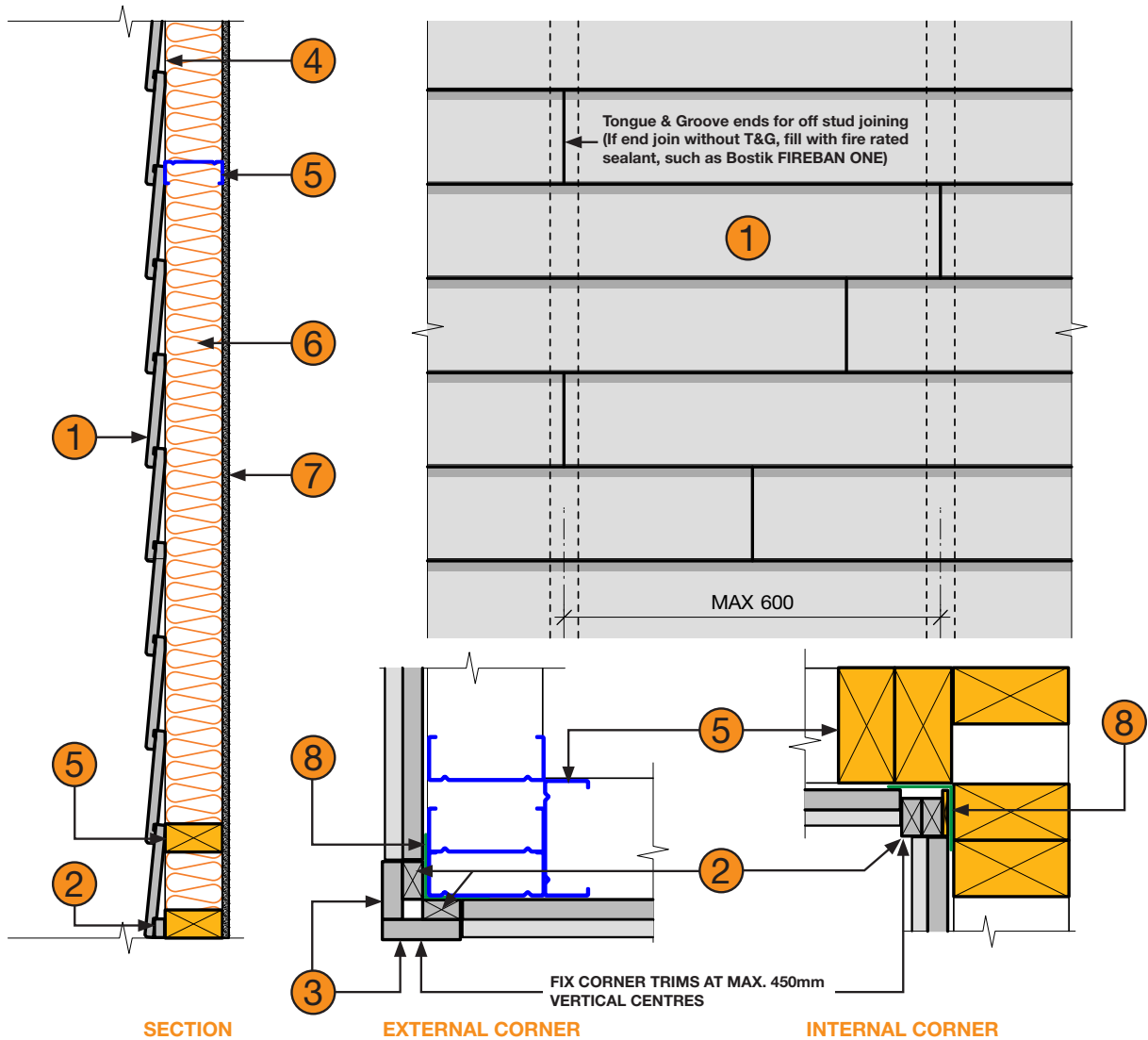
Achieves FRL 60/60/60 from outside only when tested to AS 1530.4-2014
Meets AS 3959-2018 Section 9 (BAL-FZ) via testing to AS 1530.4-2014



INEX > BOARDS™

INEX > WEATHERBOARD™

TIMBER OR STEEL FRAME : FRL 60/60/60 & BAL-FZ

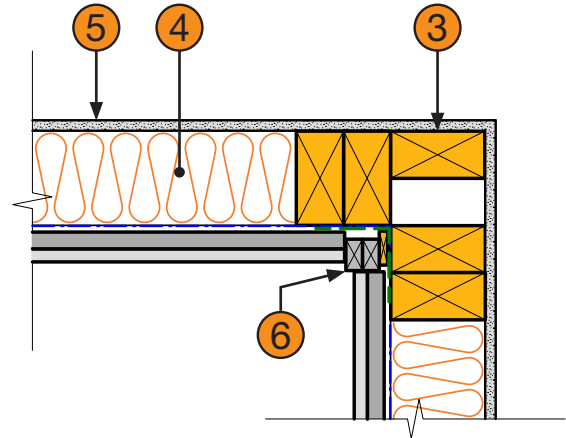
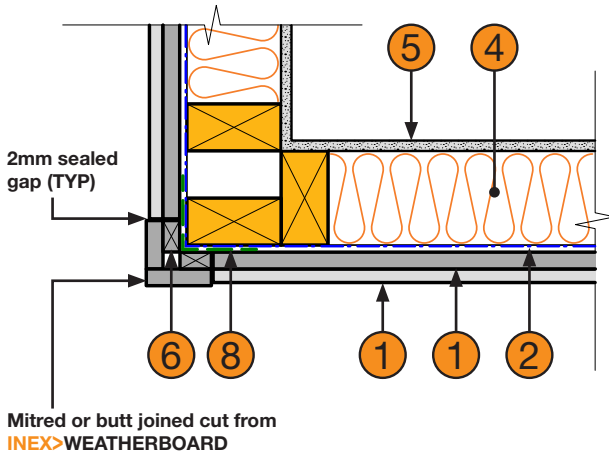


- ① INEX > WEATHERBOARD 3000x190x16
- ② 30mm x 16mm INEX > STARTERTRIM (Cut from INEX > BOARDS)
- ③ Mitred or butt jointed cut from INEX > BOARDS
- ④ Any breathable sarking

- ⑤ Steel studs at Max. 600mm centres to AS/NZS 4600 or Timber studs at Max. 600mm centres to AS 1684 (Both drawn)
- ⑥ Min. R2.5 glasswool insulation
- ⑦ Min. 10mm thick standard grade plasterboard
- ⑧ Proprietary corner flashings

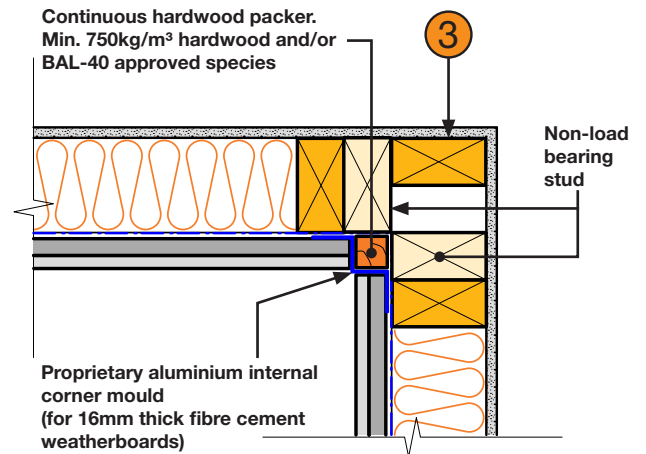
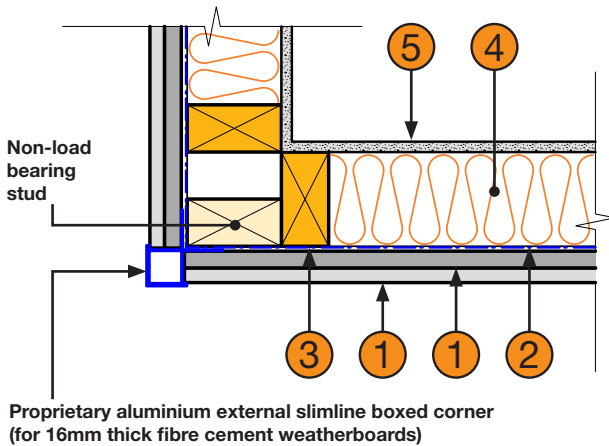
INEX > WEATHERBOARD™

TIMBER FRAME FRL 60/60/60 CORNER OPTIONS



TF 01 EXTERNAL CORNER FRL & BAL-FZ

TF 02 INTERNAL CORNER FRL & BAL-FZ



TF 03 EXTERNAL CORNER FRL & BAL-FZ

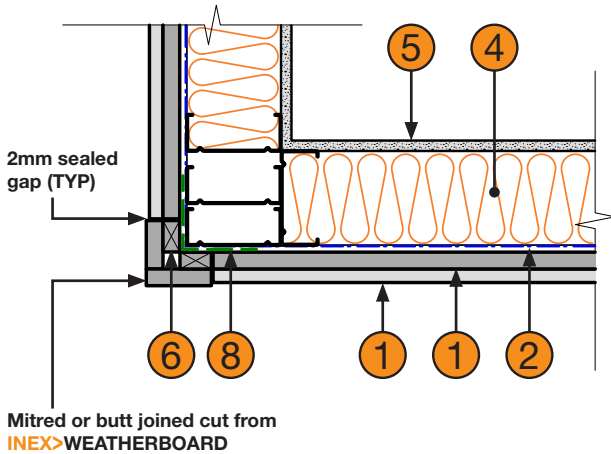
TF 04 INTERNAL CORNER FRL & BAL-FZ

- 1** INEX > WEATHERBOARD 3000x190x16
- 2** Any breathable sarking
- 3** Timber studs at Max. 600mm centres to AS 1684
- 4** Insulation (Min. R2.5 glasswool required to deliver FRL 60/60/60)

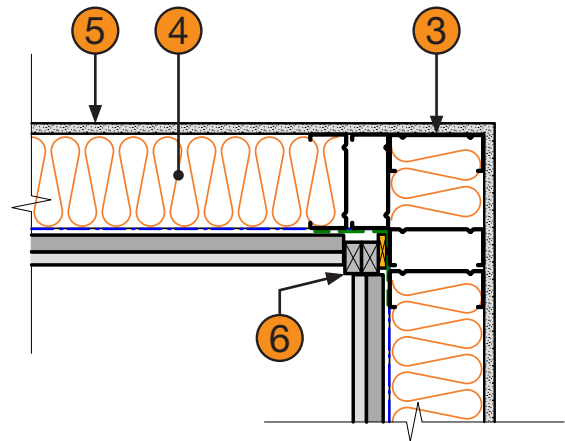
- 5** Min. 10mm thick standard grade plasterboard
- 6** 30mm x 16mm INEX > STARTERTRIM (cut from INEX > BOARDS)
- 7** 8g Min. class 3 galvanised self driller counter sinking screws
- 8** Proprietary corner flashing

INEX > WEATHERBOARD™

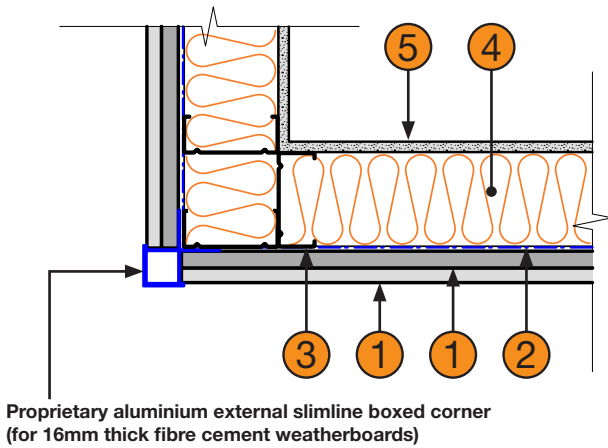
STEEL FRAME FRL 60/60/60 CORNER OPTIONS



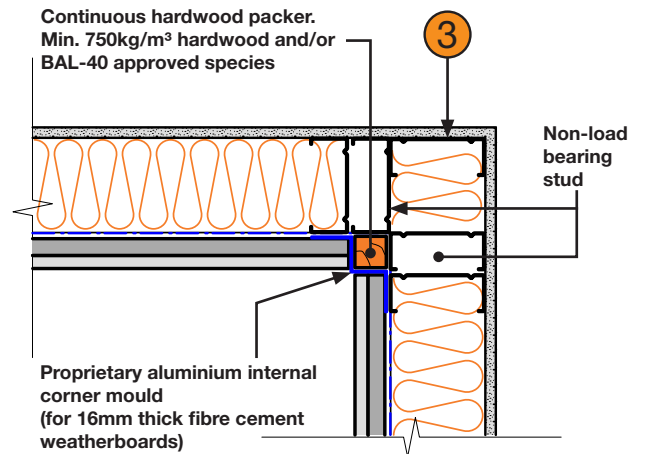
SF 01 EXTERNAL CORNER FRL & BAL-FZ



SF 02 INTERNAL CORNER FRL & BAL-FZ



SF 03 EXTERNAL CORNER FRL & BAL-FZ



SF 04 INTERNAL CORNER FRL & BAL-FZ

- 1** INEX > WEATHERBOARD 3000x190x16
- 2** Any breathable sarking
- 3** Steel studs at Max. 600mm centres to AS/NZS 4600
- 4** Insulation (Min. R2.5 glasswool required to deliver FRL 60/60/60)

- 5** Min. 10mm thick standard grade plasterboard
- 6** 30mm x 16mm INEX > STARTERTRIM (cut from INEX > BOARDS)
- 7** Min. 8g Min. class 3 galvanised self driller counter sinking screws
- 8** Proprietary corner flashing