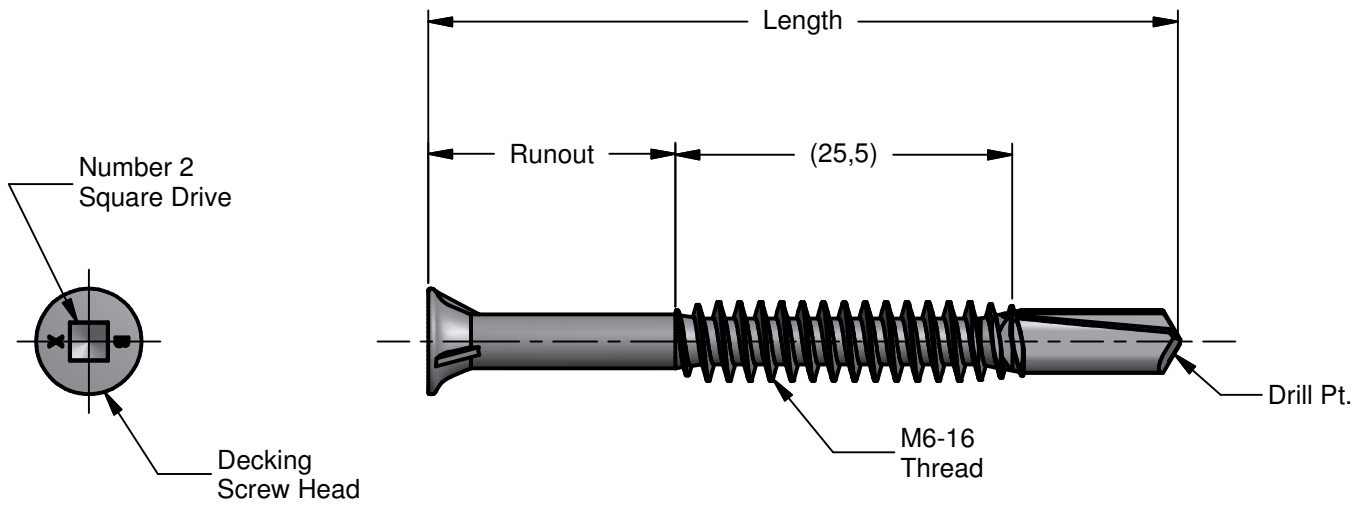


## Product Technical Data Sheet

### M6-16 Stainless Steel 316 Grade Decking Screw



Description	Length	Runout
M6-16 x 58.0 Stainless Steel Decking Screw	56.5 / 58.0	18.5 / 20.5

All dimensions nominal unless otherwise stated. Normal manufacturing tolerances apply.

Buildex® Head Office  
 600 South Road  
 Moorabbin Victoria 3189  
 Australia  
 1300 368 101  
 CustomerService-MBN@buildex.com.au

Buildex® Middle Eastern Sales Office  
 middleeastsales@buildex.com.au

Technical Help Desk  
 Technicalhelpdesk@buildex.com.au

## Product Technical Data Sheet

### M6-16 Stainless Steel 316 Grade Decking Screw

Part Number	Description	Pack Qty	Pallet Qty
6-312-0033-3	M6-16 x 58.0 Stainless Steel 316 Grade Decking Screw	500 / 1000	288,000

**Application:**

Buildex® M6-16 Stainless Steel 316 Grade Decking Screws are designed for fixing to timber decking to timber frame structures.

**Drilling Capacity:**

Timber F7 to F17

**Features:**

Decking Head

Square Drive

Thread

Teks® Point

Material

**Benefits:**

For easy embedment into the timber decking.

For positive drive while installing the screw

Special thread profile to avoid splitting of the decking timber while retaining high pullout values.

Drilling a clearance hole into the decking, removing the need to pre-drill the decking timber to avoid the decking timber from splitting.

Stainless Steel Grade 316 to avoid corrosion.

**Installation Instructions:**

1. Use a Number 2 Square Drive Driver Bit.
2. Use a mains powered or cordless screw driver with a 2,500 RPM speed.
3. Fit the Square Drive Driver Bit into the screw and place at the fastening position.
4. Apply consistently firm pressure (end load) to the screw driver until the screw has drilled and fastened.

**Material:** Stainless Steel Grade 316 | **Finish:** Plain

**Mechanical Properties:**

Single Shear Strength (N) 5,200 | Axial Tensile Strength (N) 8,200 | Torsion Strength (Nm) 6.3

**Pullout Values:**

38 mm Embedment : F7 (Pine) Timber (N) 1,950 | F17 (Hardwood) Timber (N) 2,600

All values are averages obtained under laboratory conditions and appropriate safety factors should be applied for design purposes.

These figures are applicable to Buildex® head marked product only.

**Corrosion Performance:**

Buildex® M6-16 Stainless Steel 316 Grade Decking Screws complies to Australian Standards AS3566.2 Class 4

Specify your corrosion performance requirements when ordering